

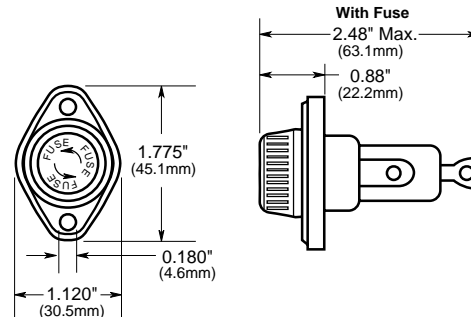
Waterproof Panel-Mount Fuseholder

For 1³/₃₂" x 1¹/₂" Fuses

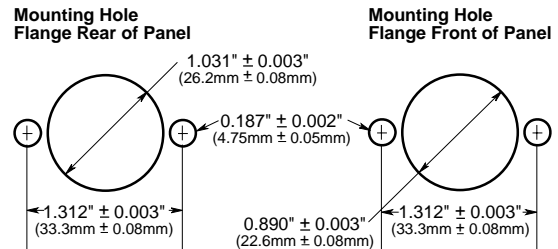
HPC-D



Dimensional Data: All other dimensions (±0.015).



Catalog Symbol: HPC-D
 Waterproof Panel-Mount
Ampere Rating: 30 Amperes
Voltage Rating: 600 Volts AC
 Agency Approvals:
 U.L. Recognized, Guide IZLT2, File E14853
U.L. Flammability Rating: 94 VO
Temperature Rating (RTI): 150°C



Electrical Ratings

Catalog Symbol	Amps	Volts AC	Fuse Description
HPC-D	30	600	Mount in panels up to 1/4" thick.

Carton Quantity and Weight

Ampere Ratings	Carton Qty.	Weight	
		Lbs.	Kg.
30	100	7.5	3.40

General Information:

- Equipped with "O"-ring seals for applications requiring waterproof protection.
- Holders mount in panels up to 1/4" (6.4mm) thick.
- Military version designated FHN23W.

CE logo denotes compliance with European Union Low Voltage Directive (50-1000 Vac, 75-1500 Vdc). Refer to BIF document #8002 or contact Bussmann Application Engineering at 314-527-1270 for more information.

This bulletin is intended to clearly present comprehensive product data and provide technical information that will help the end user with design applications. Bussmann reserves the right, without notice, to change design or construction of any products and to discontinue or limit distribution of any products. Bussmann also reserves the right to change or update, without notice, any technical information contained in this bulletin. Once a product has been selected, it should be tested by the user in all possible applications.