

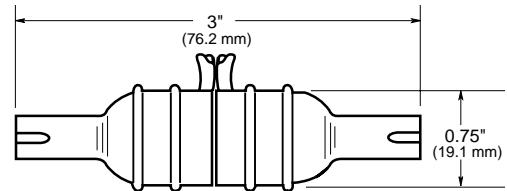
# Waterproof In-Line Fuseholder

For  $\frac{1}{4}$ " x  $1\frac{1}{4}$ " Fuses  
32 Volts AC, 30 Amps

HFB



### Dimensional Data



Catalog Symbol: HFB Fuseholder  
 Ampere Rating: 30 Amperes  
 Voltage Rating: 32 Volts AC  
 For use with  $\frac{1}{4}$ " x  $1\frac{1}{4}$ " fuses (6.35mm x 31.8mm)  
 Overall Specifications—HFB  
 Temperature Range: -40°C to 150°C  
 Waterproof: Typically to a depth of 1 foot for 2 hours  
 Vibration Resistance: Per Mil Standard 810C  
 Humidity: 85°C/85% R.H. for 96 hours  
 Material Specifications—HFB  
 Brittle Point: Less than -60°C  
 Abrasion: 54% NBS Index  
 Fluid Resistance: Type and Class AA, BA, BC, BE, CA, CE per ASTM D-2000 Standard Classification System for rubbers  
 Flame Resistance: Pass FMVSS302 and rated slow burning when tested in accordance with U.L. 94HB  
 Ozone Resistance: Passed 70 hours in 50 ppm ozone per ASTM D-5  
 Salt Spray: 15% for 166 hours = 0% volume swell  
 U.L. Flammability: 94 HB  
 Temperature Rating (RTI): 90°C  
 Body Material: Thermoplastic rubber  
 Contact Material: Copper with albaloy plating

### Catalog Numbers

Description	Catalog Number
Standard Pack (10-in)	HFB
Bulk Pack (20-in)	BK/HFB
Replacement Contact Clip	BK/1A2294
Accepts #10 Wire	HFB-10

### General Information:

- Rated 30 amps, 32 volts AC.
- Ideal for harsh environments.
  - Water
  - -40°C to 150°C temp. range
  - Salt spray
  - Withstands many organic solvents and rigorous shock and vibration.
  - Ultraviolet light
  - Ozone
- Accepts #12 to #18 wire leads (not provided).
- Simple assembly.
- One-piece molded thermoplastic.
- High visibility yellow color for easy identification in dark or hard-to-access locations.
- Important information molded into body.

### Xenon Arc Weatherometer

Time (Hrs.)	Tensile Strength (psi)	Elong. (%)	100% Mod. (psi)
0	1100	375	470
500	1130	350	520
1000	1190	350	520

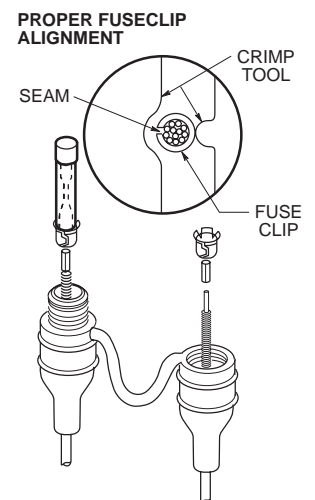
### Heat Aging (% retention of mechanical properties at 125°C)

Parameters	Days				
	1	7	15	30	41.7
Tensile Stgth.	100	105	115	120	120
% Elongation	90	90	90	90	90
100% Mod.	105	110	120	120	120

### Installation:

1. Thread wire through housing.
2. Strip insulation per strip gauge.
3. Crimp fuse clip to wire.\*
4. Pull wire and seat fuse clip in housing.
5. Insert fuse.
6. Snap housing together.

\*Recommended Crimping Tools:  
 Thomas & Betts No. WT-111-M; Radio Shack No. 64-409; California Terminal Products No. 1250.



This bulletin is intended to clearly present comprehensive product data and provide technical information that will help the end user with design applications. Bussmann reserves the right, without notice, to change design or construction of any products and to discontinue or limit distribution of any products. Bussmann also reserves the right to change or update, without notice, any technical information contained in this bulletin. Once a product has been selected, it should be tested by the user in all possible applications.