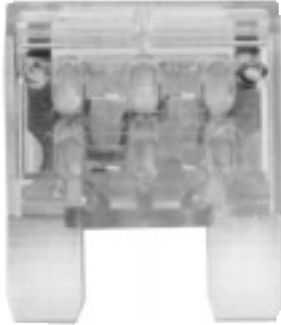


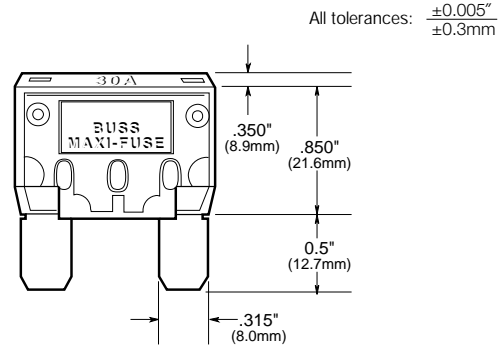
# Blade-Type Fuses

## 32 Volts DC, 20 to 80 Amps

MAX



### Dimensional Data



Catalog Symbol: MAX  
 Fast-Acting  
 Ampere Rating: 20 to 80 Amperes  
 Voltage Rating: 32 Volts DC (or less)  
 Interrupting Rating: 1,000 Amperes

### Electrical Ratings (Catalog Symbol, Amp Rating, and Color)

MAX-20	Yellow	MAX-60	Blue
MAX-30	Green	MAX-70	Tan
MAX-40	Orange	MAX-80	Neutral
MAX-50	Red		

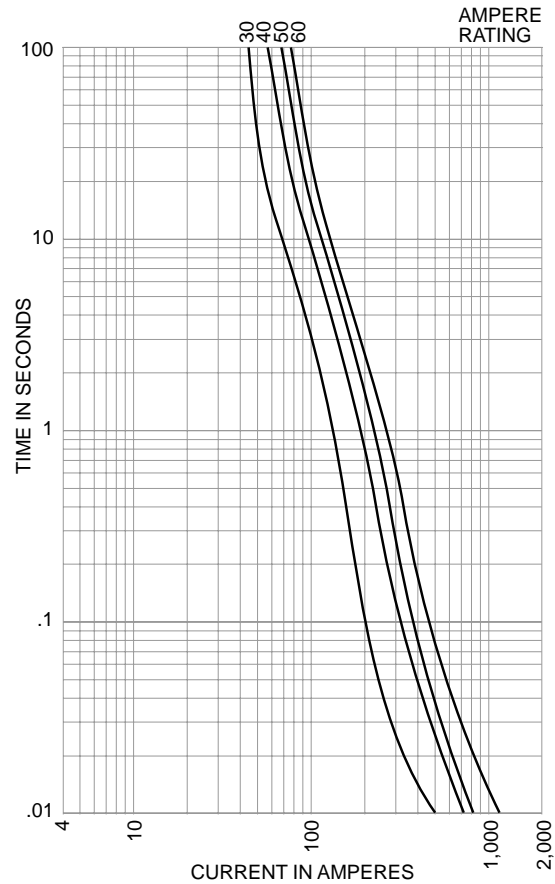
### Shelf Carton Quantity and Weight

Fuse Type	Fuse Qty.	No. of Boxes	Wgt. (Lbs.)	Dimensions (Inches)	Volume (Cu. Ins.)
MAX	20	20 (1-in)	0.60	2.88 x 4.125 x 1.75	20.0

### Recommended Bussmann Fuseholders

Blade-Type					
	HHX	Fuseholder w/Cover			
MAX	HHX-B	Body Only	20-60 Amps	#6 Lead Wire;	
	HHX-C	Cover Only		5" Length	

### Time-Current Characteristic Curves—Average Melt



This bulletin is intended to clearly present comprehensive product data and provide technical information that will help the end user with design applications. Bussmann reserves the right, without notice, to change design or construction of any products and to discontinue or limit distribution of any products. Bussmann also reserves the right to change or update, without notice, any technical information contained in this bulletin. Once a product has been selected, it should be tested by the user in all possible applications.