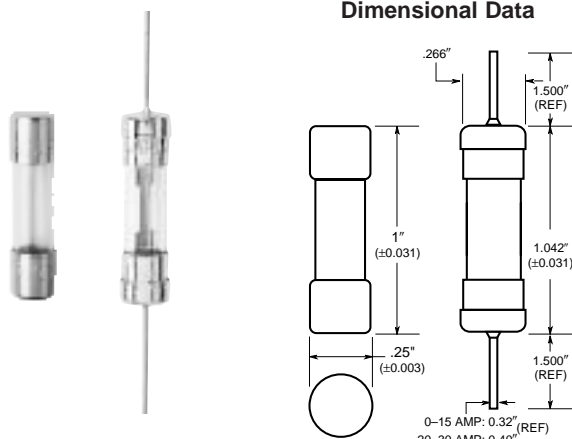


Fast-Acting Glass Fuses

For 1/4" x 1" (6.4mm x 25.4mm)

AGX AGX-V



Dimensional Data

- Glass. Formerly designated **8AG**.
- Types MJB and MJW now called AGX.
- For instruments, electronic, and small appliance circuits.
- Mounts in Buss panel mounted fuseholders types HJM, HMS, and HJL; In-line holders types HHB, HFB, and HRK; and Buss fuseblocks 4520 and 3808 series and 1/4" clips.

CATALOG SYMBOL: AGX
1/4" x 1" (6.4mm x 25.4mm) 8AG
FAST-ACTING

AGENCY APPROVALS: STD. 248-14

0-5A UL LISTED (GUIDE #JDYX, FILE #E19180)
5.1-20A UL LISTED (GUIDE #JDYX2, FILE #E19180)

CSA CERTIFIED: C22.2 NO. 248.14, (CLASS #1422-01, FILE #53787)

BODY MATERIAL: GLASS
FERRULE MATERIAL: BRASS
FERRULE PLATING: ALBALOY

Packaging & Ordering Information:

Package Code Blank 5 in BK/ 100 in	AGX Product Symbol	—	V Lead Blank -no lead V-Axial lead	—	(See Table) Rated Current
---	------------------------------	---	--	---	-------------------------------------

Electrical Ratings (Catalog Symbol and Amperes)

250 Volts AC	250 Volts AC	250 Volts AC	32 Volts AC
AGX-1/500	AGX-3/16	AGX-1-1/4 U.L.	AGX-6
AGX-1/200	AGX-1/4	AGX-1-1/2 Listed	AGX-7
AGX-1/100	AGX-3/10 U.L.	AGX-2 & CSA	AGX-8 U.L.
AGX-1/32 Listed	AGX-3/8 Listed	125 Volts AC	AGX-10 U.L. Recog.
AGX-1/16 & CSA	AGX-4/10 & CSA	AGX-2-1/2	AGX-15
AGX-1/10	AGX-1/2	AGX-3 U.L.	AGX-20
AGX-1/8	AGX-3/4	AGX-4 Listed	AGX-25
AGX-2/10	AGX-1	AGX-5	AGX-30

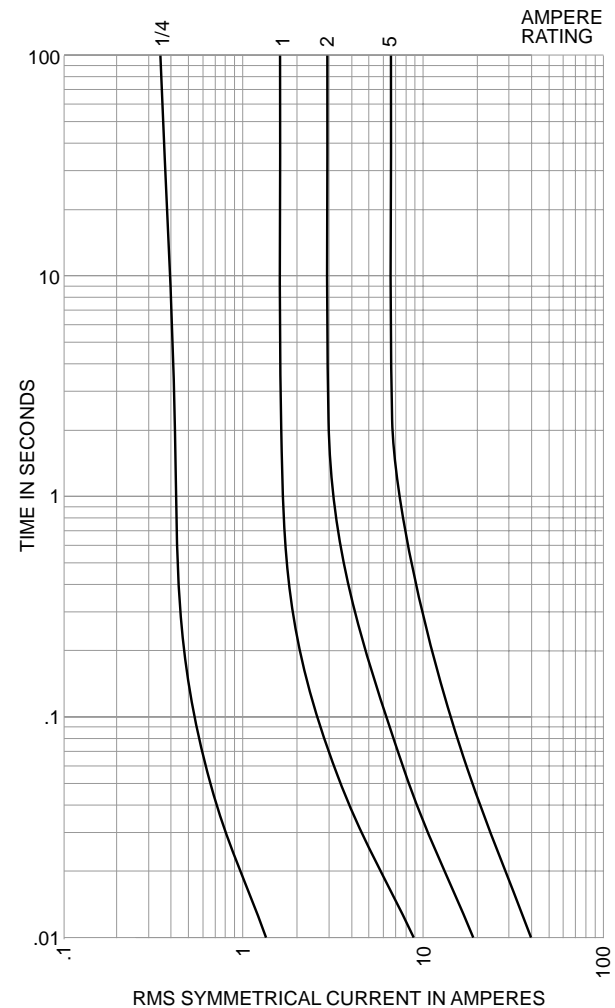
Carton Quantity and Weight

Ampere Ratings	Carton Qty	Weight* Lbs.	Kg.
0-20	100	0.76	345

*Weight per carton.

CE CE logo denotes compliance with European Union Low Voltage Directive (50-1000 VAC, 75-1500 VDC). Refer to BIF document #8002 or contact Bussmann Application Engineering at 314-527-1270 for more information.

Time-Current Characteristic Curves—Average Melt
(Full Size Curves Available)



Test Specifications

Fuse	Load Opening Time
AGX (1/500 to 50A)	110% 4 Hours (min.) 135% 1 Hour (max.)
AGX (1/500 to 2A)	200% 5 Seconds (max.)

This bulletin is intended to clearly present comprehensive product data and provide technical information that will help the end user with design applications. Bussmann reserves the right, without notice, to change design or construction of any products and to discontinue or limit distribution of any products. Bussmann also reserves the right to change or update, without notice, any technical information contained in this bulletin. Once a product has been selected, it should be tested by the user in all possible applications.

