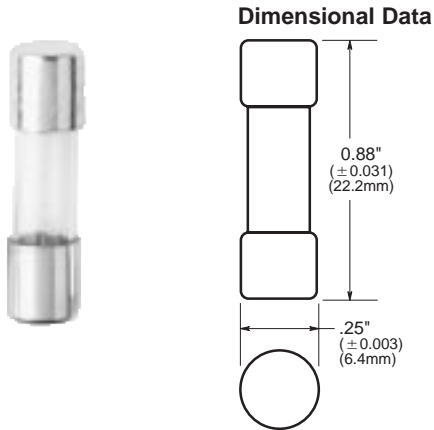


Fast-Acting Glass Fuses

For 1/4" x 7/8" (6.4mm x 22.2mm)

AGW



CATALOG SYMBOL: AGW
 1/4" x 7/8" (6.4mm x 22.2mm)
 FAST-ACTING
 32 VAC
 BODY MATERIAL: GLASS
 FERRULE MATERIAL: BRASS
 FERRULE PLATING: ALBALOY

- Glass. Formerly 7AG.
- For electronic and small appliance circuits.
- Mounts in Buss in-line holders HHB, HHH, HRK, or 1/4" clips.

Electrical Ratings (Catalog Symbol and Amperes)

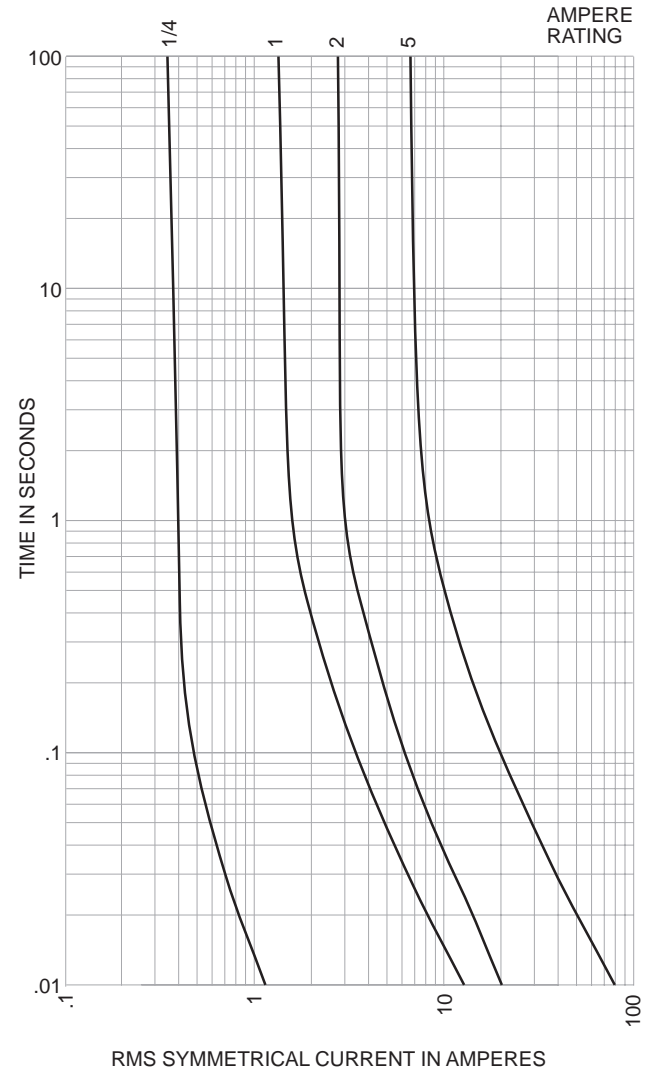
32 Volts AC			
AGW-1	AGW-3	AGW-7-1/2	AGW-25
AGW-1-1/2	AGW-4	AGW-10	AGW-30
AGW-2	AGW-5	AGW-15	—
AGW-2-1/2	AGW-6	AGW-20	—

Carton Quantity and Weight

Ampere Ratings	Carton Qty	Weight*	
		Lbs.	Kg.
1-30	100	0.80	363

*Weight per carton.

Time-Current Characteristic Curves—Average Melt
 (Full Size Curves Available)



This bulletin is intended to clearly present comprehensive product data and provide technical information that will help the end user with design applications. Bussmann reserves the right, without notice, to change design or construction of any products and to discontinue or limit distribution of any products. Bussmann also reserves the right to change or update, without notice, any technical information contained in this bulletin. Once a product has been selected, it should be tested by the user in all possible applications.

