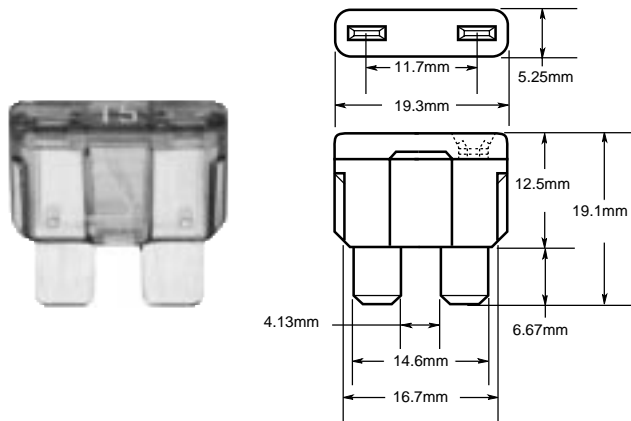


Blade-Type Automotive Fuses

32 Volts, 1-40 Amps

ATC®

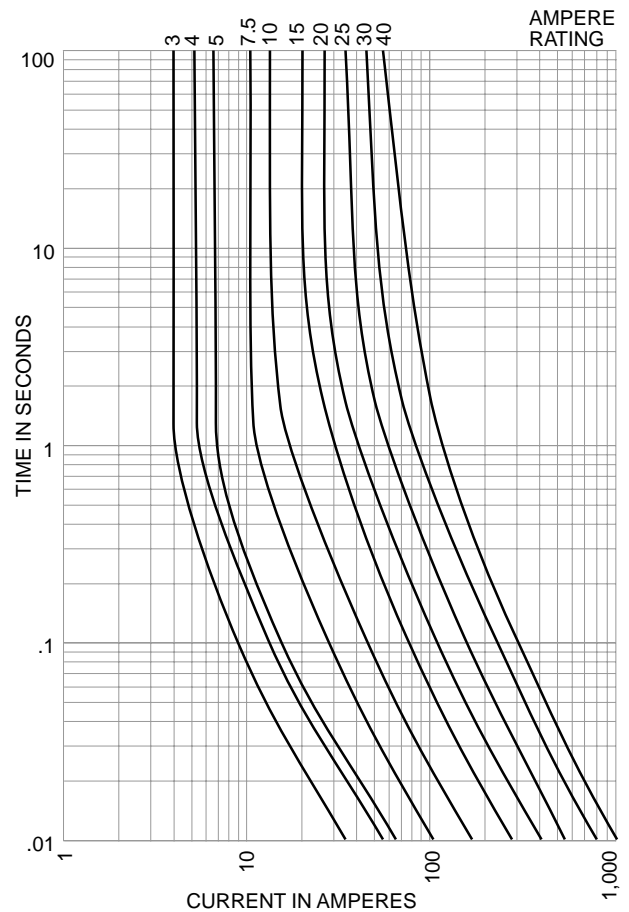
Dimensional Data



All tolerances:
 one decimal place ± 0.3
 two decimal places ± 0.13

CATALOG SYMBOL: ATC
 FAST-ACTING
 1 TO 40 AMPERES
 32 VOLTS
 INTERRUPTING RATING: 1.5 KAIC
 U.L. RECOGNIZED (3-40A)
 (GUIDE # JFHR2, FILE # E56412)

Time-Current Characteristic Curves—Average Melt



Electrical Ratings (Catalog Symbol, Amp Rating, and Color)

ATC-1	Black	ATC-5	Tan	ATC-20	Yellow
ATC-2	Gray	ATC-7-1/2	Brown	ATC-25	Clear
ATC-3	Violet	ATC-10	Red	ATC-30	Green
ATC-4	Pink	ATC-15	Blue	ATC-40	Amber

Shelf Carton Quantity and Weight

Fuse Type	Fuse Qty.	No. of Boxes	Wgt. (Lbs.)	Dimensions (Inches)	Volume (Cu. Ins.)
ATC	100	20 (5-in)	0.44	2.88 x 4.125 x 1.75	20.0

Recommended Bussmann Fuseholders

Blade-Type				
	HHC	Yellow Fuseholder	3-20 Amps	#16 Lead Wire
ATC	HHF	HHC w/cover	—	—
	HHD	Black Fuseholder	3-30 Amps	#12 Lead Wire
	HHG	HHD w/cover	—	—
	HHD-C	Cover Only	—	—

Also used in Bussmann 15600 series fuse panels.

This bulletin is intended to clearly present comprehensive product data and provide technical information that will help the end user with design applications. Bussmann reserves the right, without notice, to change design or construction of any products and to discontinue or limit distribution of any products. Bussmann also reserves the right to change or update, without notice, any technical information contained in this bulletin. Once a product has been selected, it should be tested by the user in all possible applications.

