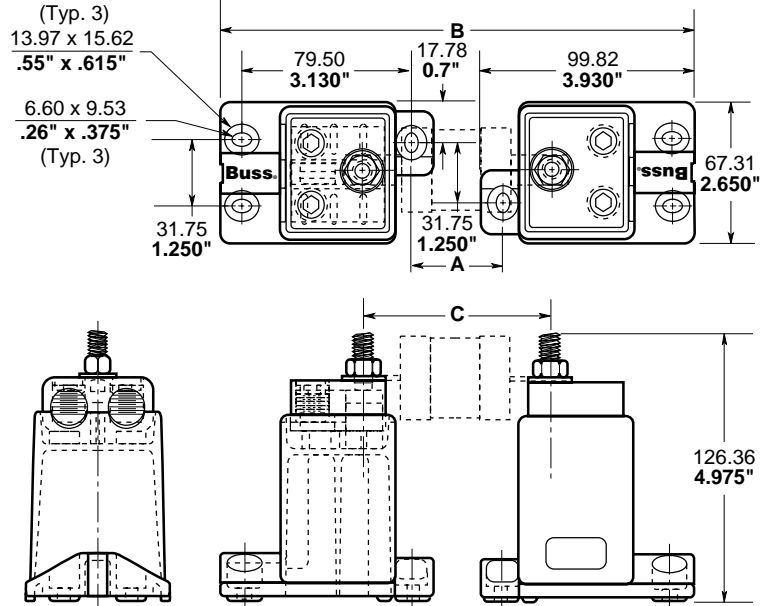


Modular Fuseblocks for High-Speed Semiconductor Fuses 0-5000 Volts, 600 Amps

BH-2 Series



Dimensional Data mm (± .25)
Inches (± .01)



Catalog Symbol: BH-2 Series

Base: Light weight, high temperature thermoplastic

Mounting Studs: Plated steel

Connector: Tin-plated aluminum.

Standard connector accepts

#6 - 250 MCM copper wire

Nut: Plated steel

Washer: Spring steel

Agency Approval:

UL Recognized, Guide IZLT2, File E14853
up to 700 Volts

CSA Certified, Class 6225-01, File 47235
up to 700 Volts

Withstand Rating: 200,000A RMS Sym.
or interrupting rating of fuse used, whichever
is smaller.

Temperature Rating (RTI): 140°C

Catalog Code Description:

Block Series

BH - 2 X X X S

Agency Approval

- 0 No Agency Approval
- 1 UL Recognition and CSA Certification
- 2 UL Recognition Only
- 3 CSA Certification Only

Wire Connector

- 0 No Connector
- 3 2 Hole for #6 - 250MCM Copper Wire
(for use with Base 1, 2, & 3)

Optional control wire screw

Stud Size

- 1 ¼ - 20
- 2 5/16 - 18
- 3 3/8 - 16

- NOTES:**
1. Always check applicable end use standards for required spacing between blocks, fuses or other hardware.
 2. For applications above 700V, consult appropriate electrical standard for proper creepage distances, clearance distances and insulator voltage withstand ratings.

CE CE logo denotes compliance with European Union Low Voltage Directive (50-1000 VAC, 75-1500 VDC). Refer to BIF document #8002 or contact Bussmann Application Engineering at 314-527-1270 for more information.

Modular Fuseblocks for High-Speed Semiconductor Fuses 0-5000 Volts, 600 Amps

BH-2 Series

Electrical Characteristics

Buss Cat. No.	Fuseblock Part No.	Stud Ref.	Fuse Volt Rating	Dimensions mm / Inches		
				"A"	"B"	"C"
170E7183	BH-2033	$\frac{3}{8}$	5000V	450.09 / 17.720	629.41 / 24.780	495.05 / 19.490
170E7184	BH-2033	$\frac{3}{8}$	5000V	450.09 / 17.720	629.41 / 24.780	495.05 / 19.490
170E7185	BH-2033	$\frac{3}{8}$	5000V	450.09 / 17.720	629.41 / 24.780	495.05 / 19.490
170E7187	BH-2033	$\frac{3}{8}$	5000V	450.09 / 17.720	629.41 / 24.780	495.05 / 19.490
170E7188	BH-2033	$\frac{3}{8}$	5000V	450.09 / 17.720	629.41 / 24.780	495.05 / 19.490
170E7189	BH-2033	$\frac{3}{8}$	5000V	450.09 / 17.720	629.41 / 24.780	495.05 / 19.490
170E8129	BH-2033	$\frac{3}{8}$	3300V	163.07 / 6.420	342.39 / 13.480	208.03 / 8.190
170E9629	BH-2033	$\frac{3}{8}$	4000V	299.97 / 11.810	479.30 / 18.870	344.93 / 13.580
170E9630	BH-2033	$\frac{3}{8}$	4000V	299.97 / 11.810	479.30 / 18.870	344.93 / 13.580

This bulletin is intended to clearly present comprehensive product data and provide technical information that will help the end user with design applications. Bussmann reserves the right, without notice, to change design or construction of any products and to discontinue or limit distribution of any products. Bussmann also reserves the right to change or update, without notice, any technical information contained in this bulletin. Once a product has been selected, it should be tested by the user in all possible applications.