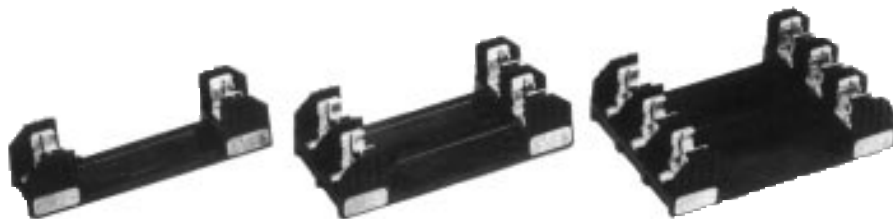


Class H Fuseblocks 250 Volts

H250 Series



CATALOG SYMBOL: H250 SERIES
 1/10–600 AMPERES
 250 VOLTS AC
 U.L. LISTED
 (GUIDE # IZLT, FILE # E14853)
 CSA
 (CLASS 6225-01; FILE 47235)
 WITHSTAND RATING:
 10,000 Amps RMS SYM.
 For use with Class H Fuses
 (NON and REN)
Materials: Thermoplastic
U.L. Flammability: 94 VO

Class H Fuseblocks (250V) Catalog Data

Amps	Poles	Basic Catalog Number	Terminal Type (Suffix No.)							Dimensions (Inches)											Max. Wire Size		
			Screw			Box Lug				Fig. No.	A	B	C	D	E	F	G	H	J Dia. x C' Bore	K			
			Clip with Reinforced Spring	Pressure Plate	Pressure Plate & Clip with Reinforced Spring	Clip with Reinforced Spring	Clip with Reinforced Spring (Copper Only)	0.25" Quick-Connect															
1/10 to 30	1, 2, 3	H25030-1, H25030-2, H25030-3	S, S, S	SR, SR, SR	P, P, P	PR, PR, PR	C, C, C	CR, CR, CR	COR, COR, COR	CO, CO, CO	Q, Q, Q	(See Figures)											S.P. #10Cu C #6Cu
1 to 60	1, 2, 3	H25060-1, H25060-2, H25060-3	S*, S*, S*	SR*, SR*, SR*	P*, P*, P*	PR*, PR*, PR*	C, C, C	CR, CR, CR	COR, COR, COR	CO, CO, CO	—, —, —	4.25, 4.25, 4.25	1.73, 1.73, 1.73	1.5, 2.81, 4.125	1.5, 1.5, 1.5	0.5, 0.5, 0.5	0.5, 0.5, 0.5	1.25, 1.25, 1.25	1.94, 1.94, 1.94	0.22 x 0.41, 0.22 x 0.41, 0.22 x 0.41	0.27, 0.27, 0.27	S. #10 #2Cu-Al	
61 to 100	1, 2, 3	H25100-1, H25100-2, H25100-3	—, —, —	SR*, SR*, SR*	—, —, —	—, —, —	—, —, —	CR, CR, CR	COR, COR, COR	—, —, —	—, —, —	(See Figures)											#1/0 Cu-Al
101 to 200	1, 3	H25200-1, H25200-3	—, —	—, —	—, —	—, —	—, —	CR, —	—, —	—, —	—, —	10, 11	7.125, 7.125	3.09, 3.09	3.0, 3.0	2.06, 2.06	0.5, 0.5	2.0, 2.0	3.0, 3.0	0.75, 0.75	—, —	0.31, 0.31	250MCM Cu-Al
201 to 400	1	H25400-1	—	—	—	—	—	CR*	—	—	—	10	9.06	4.0	3.0	3.02	0.63	1.75	3.0	1.0	—	0.31	500MCM Cu-Al
401 to 600	1	H25600-1	—	—	—	—	—	CR	—	—	—	10	11.0	4.97	3.0	4.0	1.125	1.75	4.0	1.02	—	0.31	2-500MCM Cu-Al

* U.L. Recognized, No CSA Certification.

Dimensional Data

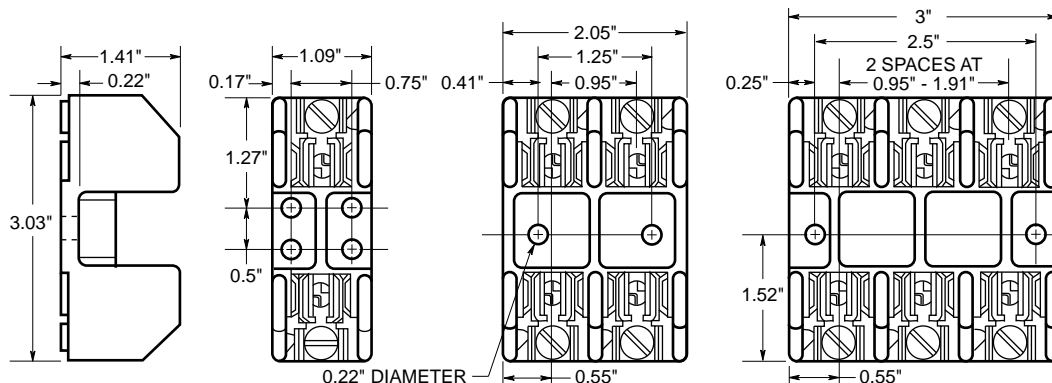


FIGURE 1.

FIGURE 2.

FIGURE 3.



Class H Fuseblocks

250 Volts

H250 Series

Dimensional Data 250V, 31A to 60A

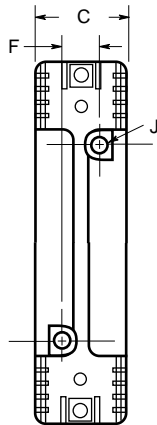
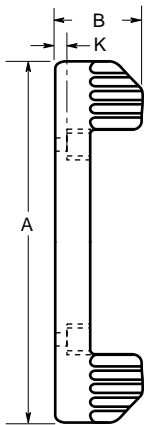


FIGURE 4.

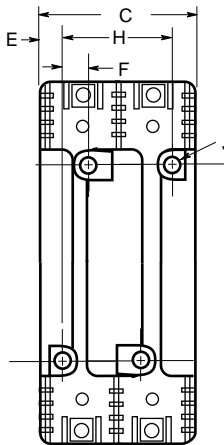


FIGURE 5.

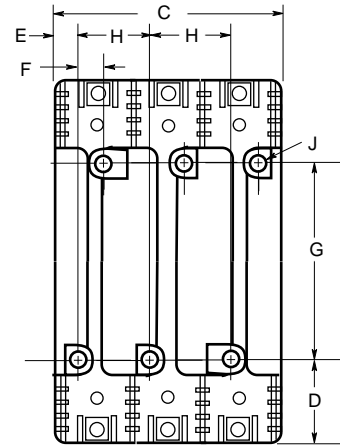


FIGURE 6.

250V, 61A to 100A

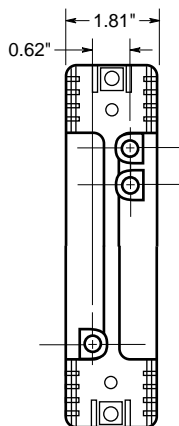
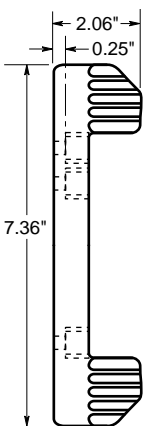


FIGURE 7.

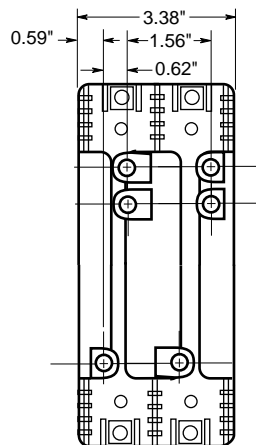


FIGURE 8.

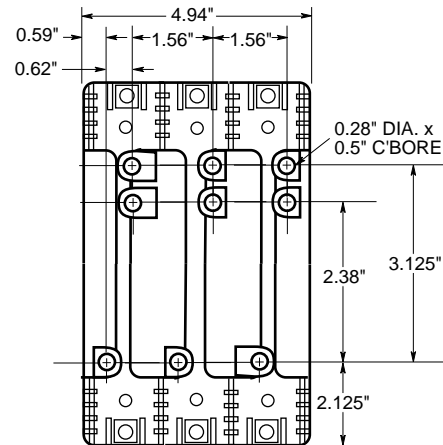


FIGURE 9.

250V, 101A to 600A

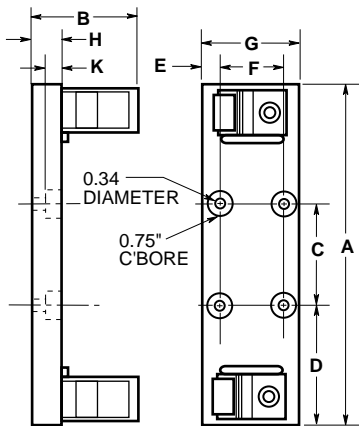


FIGURE 10.

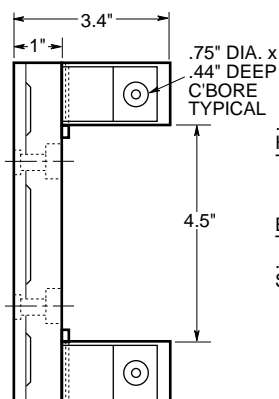
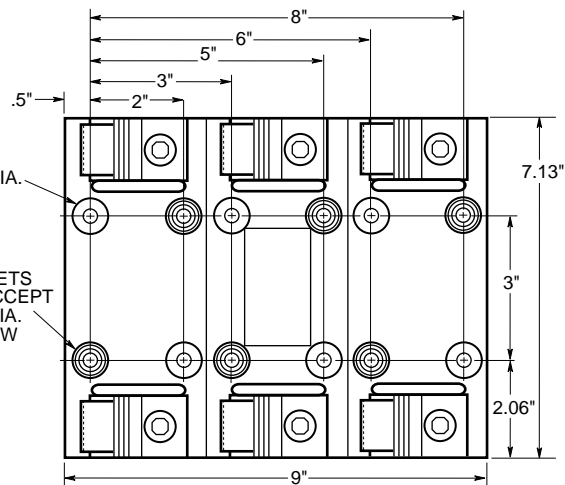


FIGURE 11.



This bulletin is intended to clearly present comprehensive product data and provide technical information that will help the end user with design applications. Bussmann reserves the right, without notice, to change design or construction of any products and to discontinue or limit distribution of any products. Bussmann also reserves the right to change or update, without notice, any technical information contained in this bulletin. Once a product has been selected, it should be tested by the user in all possible applications.