

Class J Fuseblocks

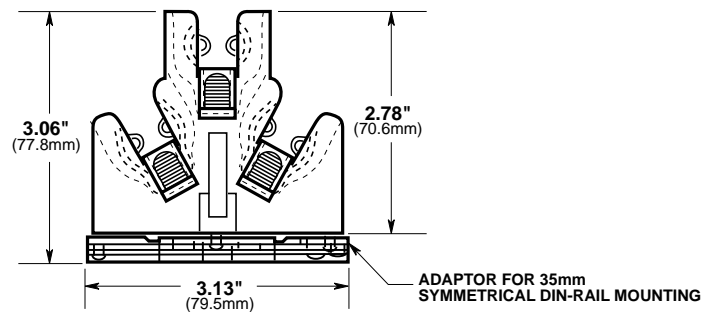
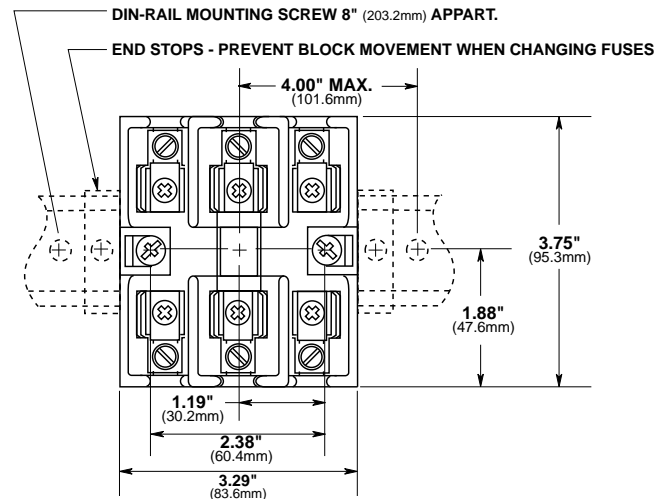
Pyramid Style

600 Volt, 30 Amps

JP Series



Dimensional Data



CATALOG SYMBOL: JP SERIES
 PYRAMID STYLE FUSEBLOCK
 30 AMPERES
 600 VOLTS
 WITHSTAND RATING: 200,000 RMS SYM AMPS
 U.L. LISTED—(GUIDE # IZLT, FILE # E14853)
 CSA—(CLASS 4225-04; FILE 47235)
 For use with Class J Fuses (Bussmann LPJ, JKS)
 U.L. FLAMMABILITY: 94VO
 MATERIAL: Thermoplastic

Pyramid® J Fuseblock; 30A, 600V; 3-Pole; Panel or 35mm DIN-Rail Mount; Clips with Reinforcing Springs

Mounting	Catalog Numbers		
	Screws with Pressure Plate	Box Aluminum	Copper Only
Panel	JP60030-3PR (#10-14 Cu Wire)	JP60030-3CR (#2-8 Al or #2-14 Cu)	JP60030-3COR (#2-14 Cu)
With DIN-Rail Adapter*	JP60030-3PRA (#10-14 Cu Wire)	JP60030-3CRA (#2-8 Al or #2-14 Cu)	JP60030-CORA (#2-14 Cu)

*Adapter Only for DIN-Rail - Cat No. JPA-3.

This bulletin is intended to clearly present comprehensive product data and provide technical information that will help the end user with design applications. Bussmann reserves the right, without notice, to change design or construction of any products and to discontinue or limit distribution of any products. Bussmann also reserves the right to change or update, without notice, any technical information contained in this bulletin. Once a product has been selected, it should be tested by the user in all possible applications.