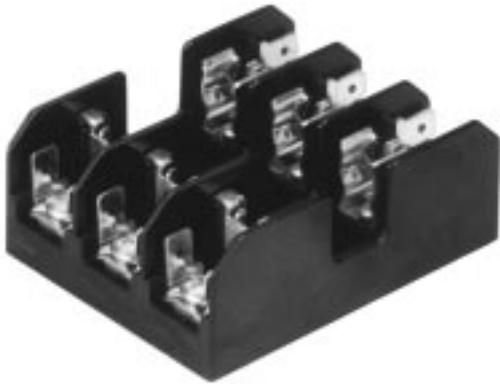


Class CC Fuseblocks

600 Volt AC, 1/10 - 30 Amps

BC Series



CATALOG SYMBOL: BC SERIES
 CLASS CC FUSEBLOCKS
 1/10-30 AMPERES
 600 VOLTS AC
 WITHSTAND RATING: 200,000 AMPS, RMS SYM.
 U.L. LISTED-UL 512(GUIDE # IZLT, FILE # E14853)
 CSA Certified, C22.2 No. 39-(CLASS 6225-01; FILE 47235)
 For use with Class CC Fuses
 (Bussmann LP-CC, KTK-R, and FRQ-R)
 U.L. FLAMMABILITY: 94 VO
 MATERIALS: Base - Thermoplastic
 Clips - Bright Tin-plated bronze

Catalog Data (600V AC)

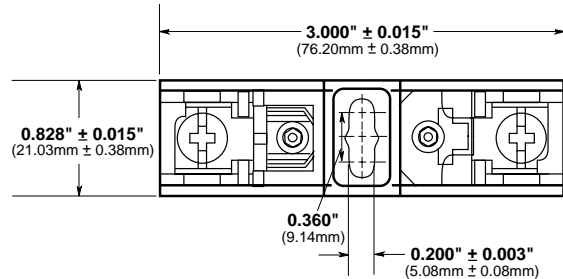
Terminal Type						
Amps	Poles	Screw	Screw with Quick Connect	Pressure Plate	Pressure Plate w/ Quick Connect	Box Lug
1/10	1	BC6031S	BC6031SQ	BC6031P	BC6031PQ	BC6031B
to	2	BC6032S	BC6032SQ	BC6032P	BC6032PQ	BC6032B
30	3	BC6033S	BC6033SQ	BC6033P	BC6033PQ	BC6033B



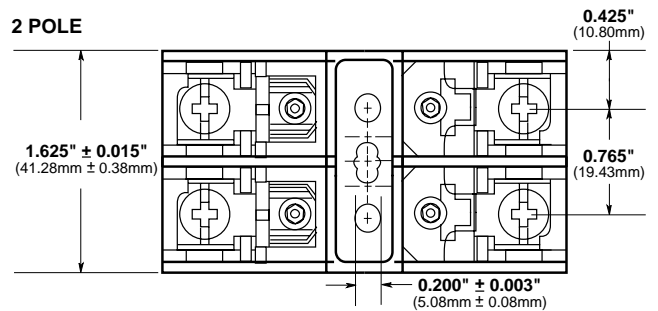
CE logo denotes compliance with European Union Low Voltage Directive (50-1000 VAC, 75-1500 VDC). Refer to BIF document #8002 or contact Bussmann Application Engineering at 314-527-1270 for more information.

Dimensional Data

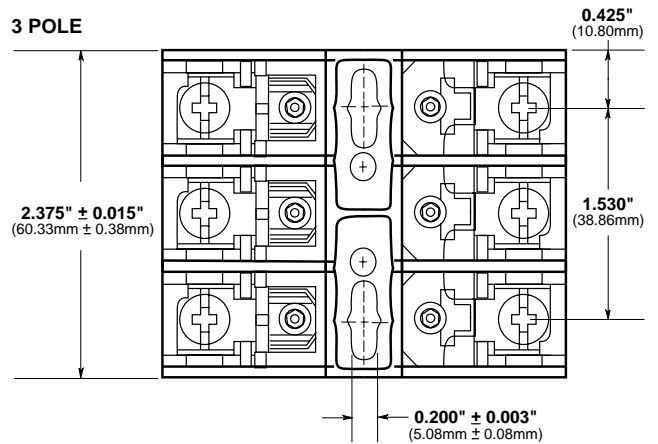
1 POLE



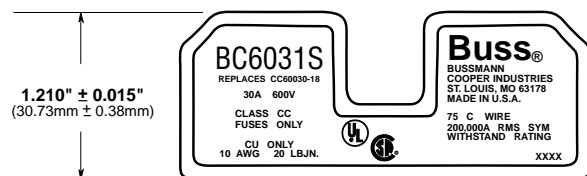
2 POLE



3 POLE



FUSEBLOCK LABEL (EXAMPLE SHOWN)



This bulletin is intended to clearly present comprehensive product data and provide technical information that will help the end user with design applications. Bussmann reserves the right, without notice, to change design or construction of any products and to discontinue or limit distribution of any products. Bussmann also reserves the right to change or update, without notice, any technical information contained in this bulletin. Once a product has been selected, it should be tested by the user in all possible applications.